



Opto Plus LED Corp

OPS-L193NG-C0269

1.6 x 0.8 x 0.4mm SMD LAMP

● **EDIT HISTORY**

Version A: Apr.11, 2012

New color data sheet.

Manufacture	Examination	Approving



Opto Plus LED Corp

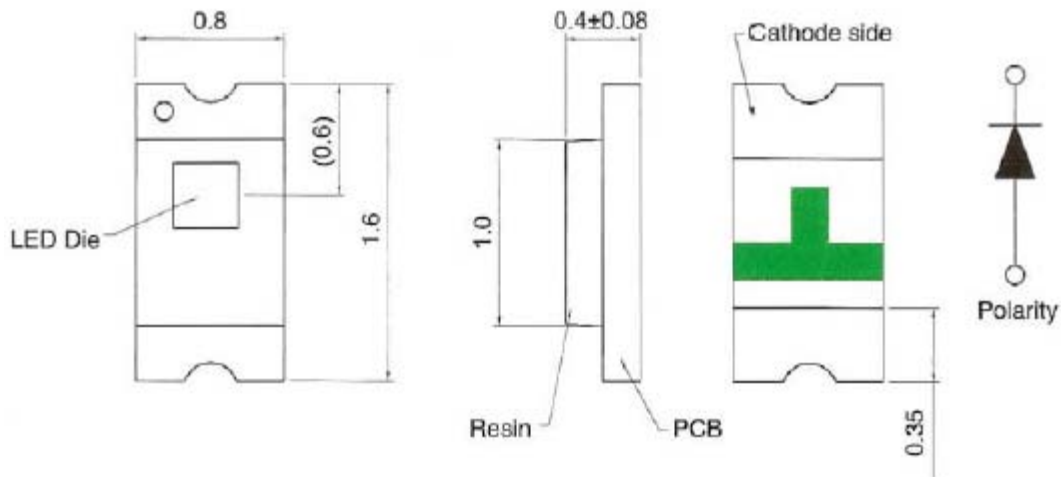
OPS-L193NG-C0269

1.6 x 0.8 x 0.4mm SMD LAMP

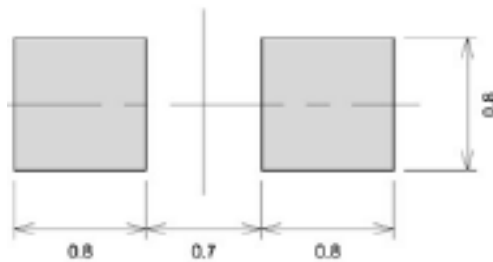
● **FEATURES**

- ◆ 1.6 x 0.8 x 0.4 mm SMD Lamp.
- ◆ Wide viewing angle.
- ◆ Low power consumption.
- ◆ RoHS compliant.

● **PACKAGE DIMENSIONS**



● **RECOMMENDED SOLDERING PAD DIMENSIONS**



LENS COLOR	DICE MATERIAL	LIGHT COLOR
Color Diffused	InGaN	Green

RoHS Compliance



Pb free.





Opto Plus LED Corp

OPS-L193NG-C0269

1.6 x 0.8 x 0.4mm SMD LAMP

● **ABSOLUTE MAXIMUM RATINGS AT TA=25°C**

Parameter	Symbol	Green	Unit
Power Dissipation	P_{AD}	78	mW
Continuous Forward Current	I_{FMAX}	20	mA
Peak Forward Current (duty cycle 1/10, 0.1ms Pulse Width)	I_{FP}	100	mA
Reverse Voltage	V_R	5	V
Operating Temperature Range	T_{OPR}	-30 to +80	°C
Storage Temperature Range	T_{STG}	-40 to +85	°C

● **ELECTRICAL OPTICAL CHARACTERISTICS AT TA=25°C**

Characteristic	Symbol	Condition	Min.	Type	Max.	Unit
Forward Voltage	V_F	$I_F = 20mA$	-	3.3	3.9	V
Reverse Current	I_R	$V_R = 5V$	-	-	10	μA
Peak Wavelength	λ_P	$I_F = 20mA$	-	520	-	nm
Dominant Wavelength	λ_d	$I_F = 20mA$	-	527	-	-
Luminous Intensity	I_V	$I_F = 20mA$	-	360	-	mcd



Opto Plus LED Corp

OPS-L193NG-C0269

1.6 x 0.8 x 0.4mm SMD LAMP

● **LUMINOUS INTENSITY BIN LIMITS**

■ **Luminous Intensity (I_v) Bin:**

Color	Bin Code	Spec. Range
Green	S	180.0-285.0 mcd
	T	285.0-360.0 mcd
	U	360.0-450.0 mcd

■ **Dominant Wavelength (λ_D) Bin:**

Color	Bin Code	Spec. Range
Green	B	520-525 nm
	C	525-530 nm
	D	530-535 nm

■ **Forward Voltage (V_f) Bin:**

Color	Bin Code	Spec. Range
Green	G8	2.7-2.9V
	H7	2.9-3.1 V
	H8	3.1-3.3 V
	J7	3.3-3.5 V
	J8	3.5-3.7V
	K7	3.7-3.9V

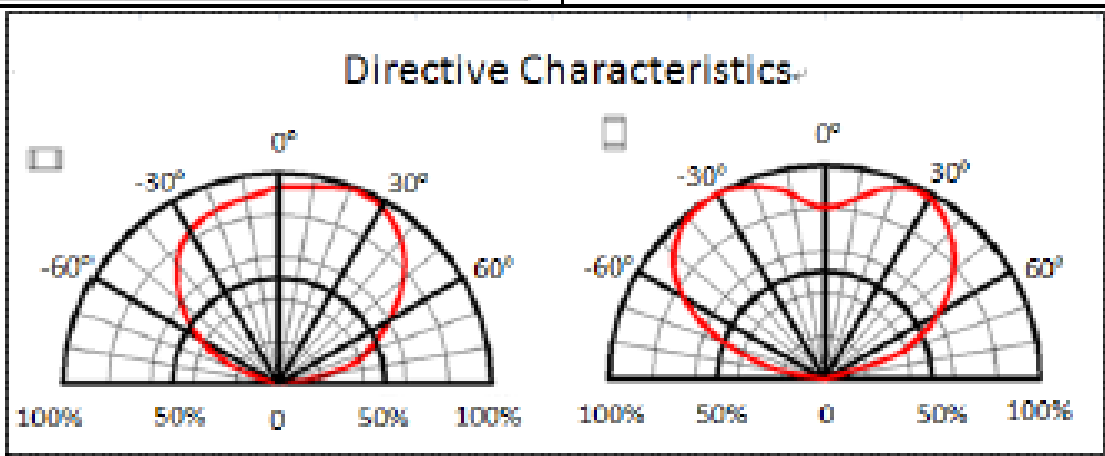
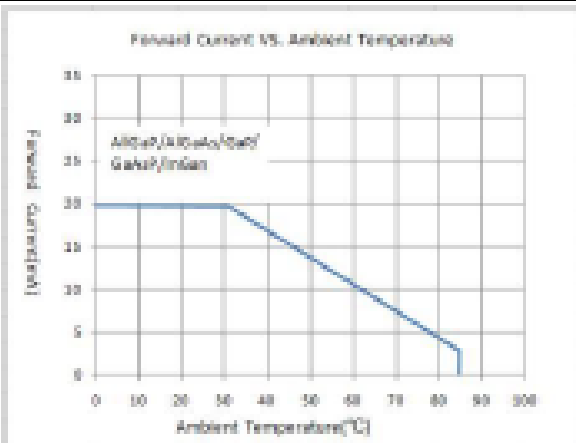
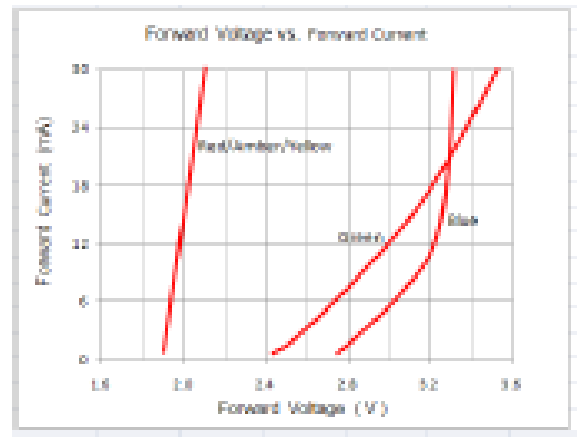
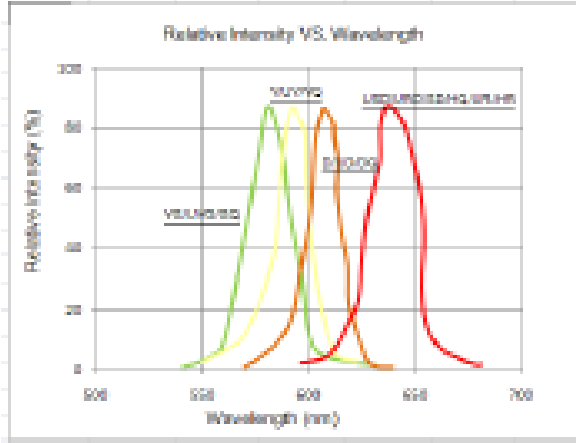


Opto Plus LED Corp

OPS-L193NG-C0269

1.6 x 0.8 x 0.4mm SMD LAMP

● TYPICAL ELECTRO-OPTICAL CHARACTERISTIC CURVES





Opto Plus LED Corp

OPS-L193NG-C0269

1.6 x 0.8 x 0.4mm SMD LAMP

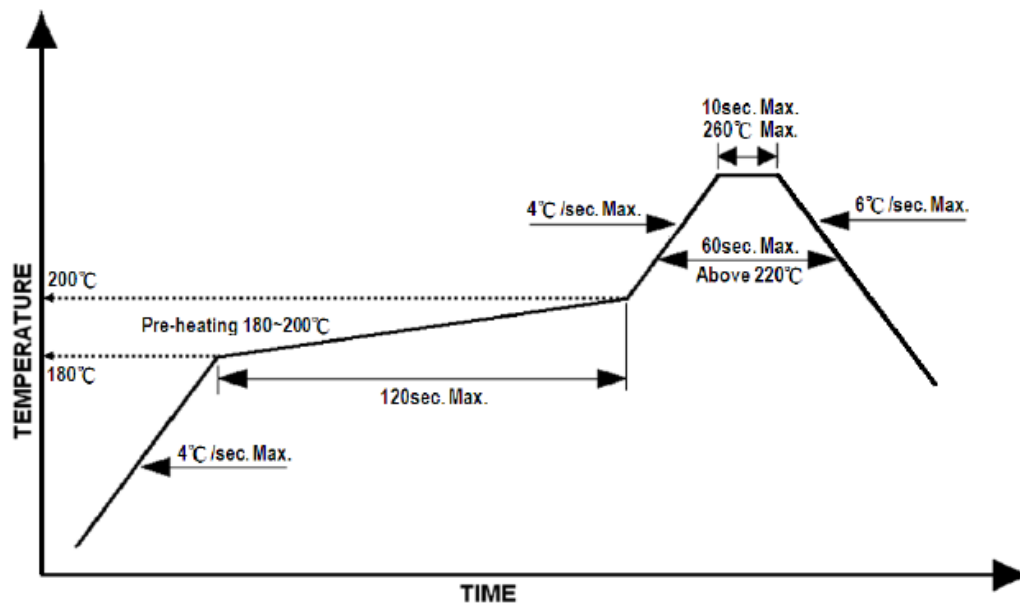
● REFLOW SOLDERING

Reflow Soldering

Recommend soldering paste specifications:

1. Operating temp.: Above 220 °C ,60 sec.
2. Peak temp.:260 °CMax.,10sec Max.
3. Never attempt next process until the component is cooled down to room temperature after reflow.
4. The recommended reflow soldering profile (measured on the surface of the LED terminal) is as following:

Lead-free Solder Profile



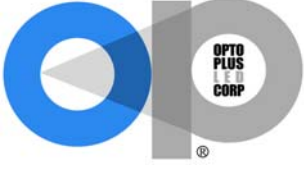
Reworking

- Rework should be completed within 5 seconds under 260 °C.
- The iron tip must not come in contact with the copper foil.
- Twin-head type is preferred.

Cleaning

Following are cleaning procedures after soldering:

- An alcohol-based solvent such as isopropyl alcohol (IPA) is recommended.
- Temperature x Time should be 50°C x 30sec. or <30°C x 3min
- Ultrasonic cleaning: < 15W/ bath; bath volume ≤ 1liter
- Curing: 100 °C max, <3min

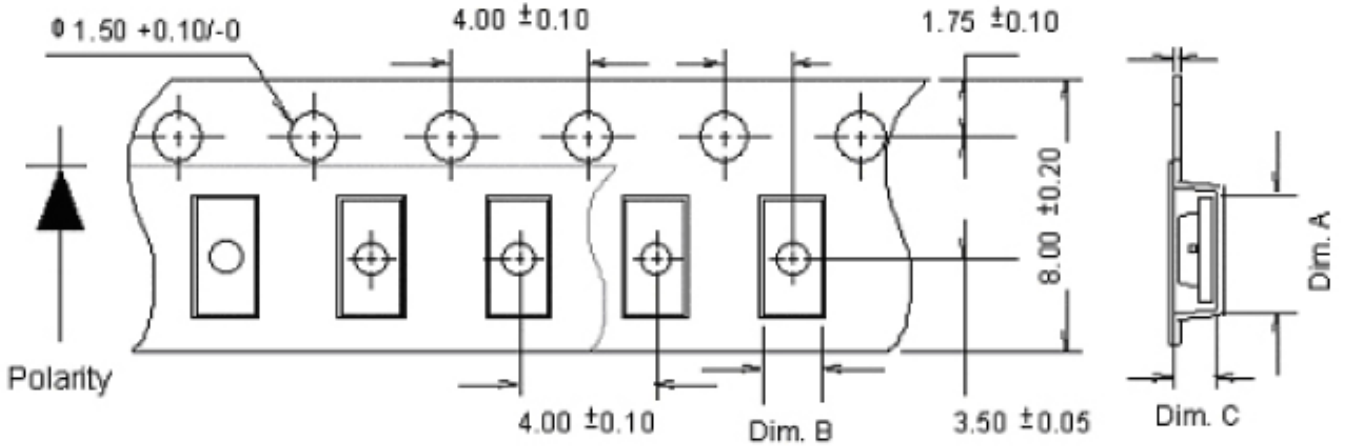


Opto Plus LED Corp

OPS-L193NG-C0269

1.6 x 0.8 x 0.4mm SMD LAMP

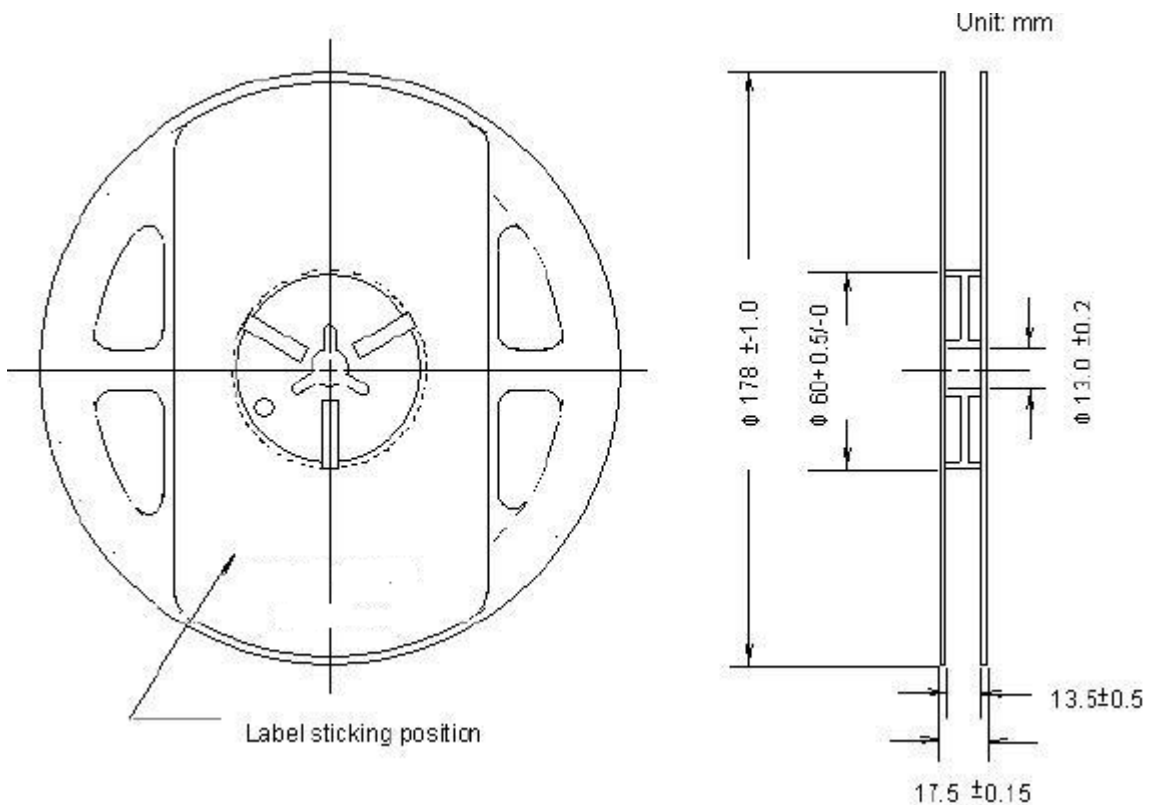
● TAPE SPECIFICATION : 4000 PCS PER REEL



Unit: mm

Dim. A	Dim. B	Dim. C
1.75 ± 0.10	0.9 ± 0.10	0.6 ± 0.10

● PACKAGE DIMENSIONS OF REEL





Opto Plus LED Corp

OPS-L193NG-C0269

1.6 x 0.8 x 0.4mm SMD LAMP

● PACKING AND SHIPPING INSTRUCTION

