



Opto Plus LED Corp

OPS-L193NB5-5183

1.6 x 0.8 x 0.4mm SMD LAMP

● **EDIT HISTORY**

Version A: Sep. 9, 2011

New color data sheet.

Manufacture	Examination	Approving



Opto Plus LED Corp

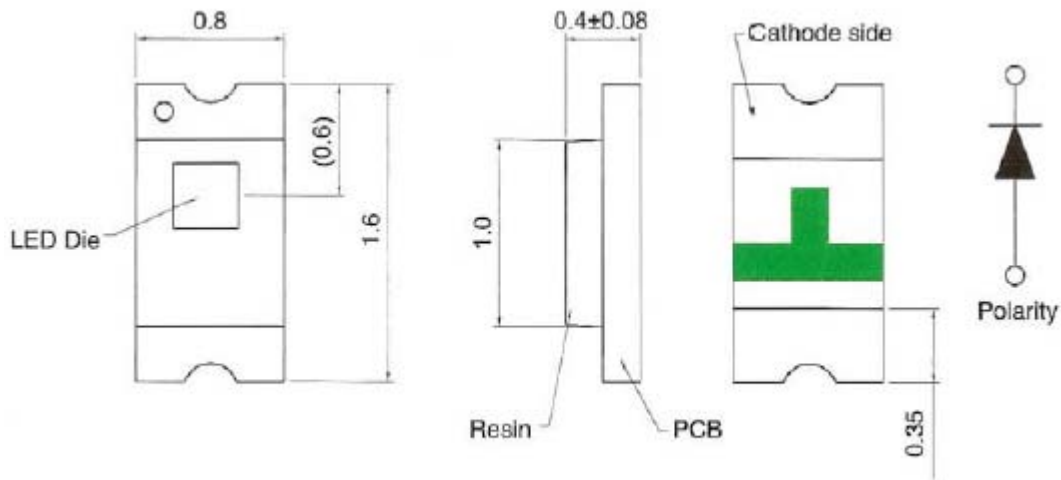
OPS-L193NB5-5183

1.6 x 0.8 x 0.4mm SMD LAMP

● FEATURES

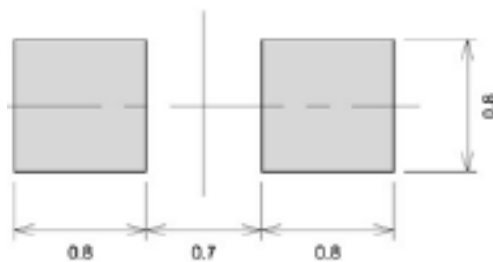
- ◆ 1.6 x 0.8 x 0.4 mm SMD Lamp.
- ◆ Wide viewing angle.
- ◆ Low power consumption.
- ◆ RoHS compliant.

● PACKAGE DIMENSIONS



Polarity reference for cathode mark is reversed for UR.

● RECOMMENDED SOLDERING PAD DIMENSIONS



LENS COLOR	DICE MATERIAL	LIGHT COLOR
Color Diffused	InGaN	Blue

RoHS Compliance



Pb free.





Opto Plus LED Corp

OPS-L193NB5-5183

1.6 x 0.8 x 0.4mm SMD LAMP

● ABSOLUTE MAXIMUM RATINGS AT TA=25°C

Parameter	Symbol	Blue	Unit
Power Dissipation	P_{AD}	62	mW
Continuous Forward Current	I_{FMAX}	20	mA
Peak Forward Current (duty cycle 1/10, 0.1ms Pulse Width)	I_{FP}	80	mA
Reverse Voltage	V_R	5	V
Operating Temperature Range	T_{OPR}	-30 to +85	°C
Storage Temperature Range	T_{STG}	-40 to +90	°C

● ELECTRICAL OPTICAL CHARACTERISTICS AT TA=25°C

Characteristic	Symbol	Condition	Min.	Type	Max.	Unit
Forward Voltage	V_F	$I_F = 5mA$	-	2.85	3.15	V
Reverse Current	I_R	$V_R = 5V$	-	-	10	μA
Peak Wavelength	λ_P	$I_F = 5mA$	-	470	-	nm
Dominant Wavelength	λ_d	$I_F = 5mA$	-	468	-	-
Luminous Intensity	I_V	$I_F = 5mA$	18	-	56	mcd



Opto Plus LED Corp

OPS-L193NB5-5183

1.6 x 0.8 x 0.4mm SMD LAMP

● LUMINOUS INTENSITY BIN LIMITS

Test condition : @5mA		
BIN Code	I _v min. (mcd)	I _v max. (mcd)
M1	18.0	22.5
M2	22.5	28.5
N1	28.5	36.0
N2	36.0	45.0
P1	45.0	56.0

* @5mA / Ta=25°C, Tolerance: ±10%

HUE GRADE

BIN	min	max
B	465	470
C	470	475

● FORWARD VOLTAGE BIN LIMITS

Test condition : @5mA		
Color	Bin Code	Spec. Range (V)
Blue	G3T	2.65 – 2.75
	G4T	2.75 – 2.85
	H1T	2.85 – 2.95
	H2T	2.95 – 3.05
	H3T	3.05 – 3.15

* @5mA / Ta=25°C, Tolerance: ±0.05V



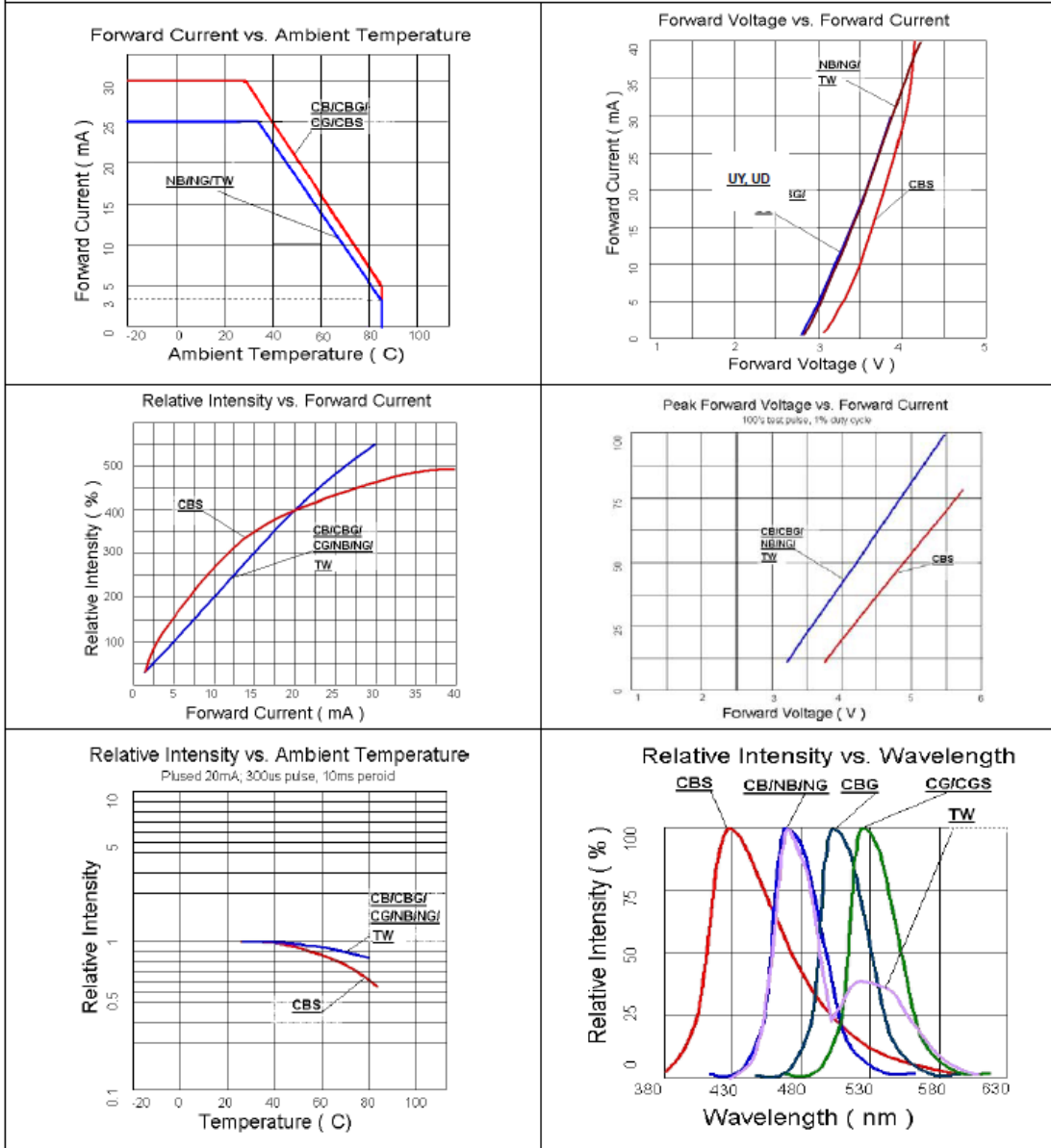
Opto Plus LED Corp

OPS-L193NB5-5183

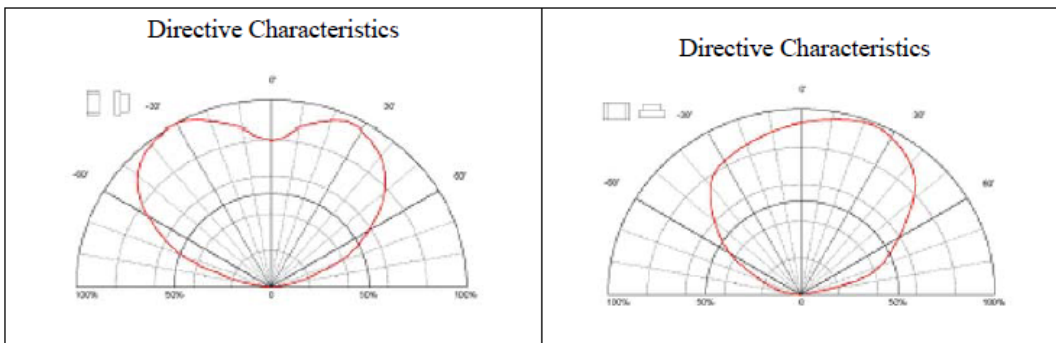
1.6 x 0.8 x 0.4mm SMD LAMP

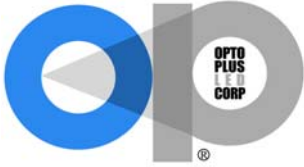
● TYPICAL ELECTRO-OPTICAL CHARACTERISTIC CURVES

Characteristic Curves for NB



Characteristic Curves for All Colors (Radiation Pattern)





Opto Plus LED Corp

OPS-L193NB5-5183

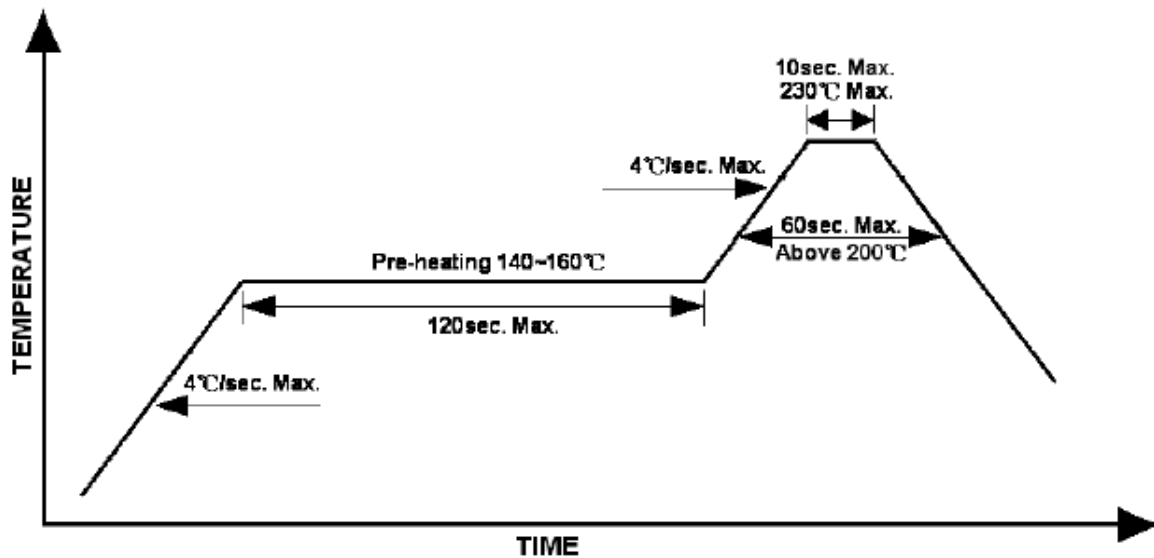
1.6 x 0.8 x 0.4mm SMD LAMP

● REFLOW SOLDERING

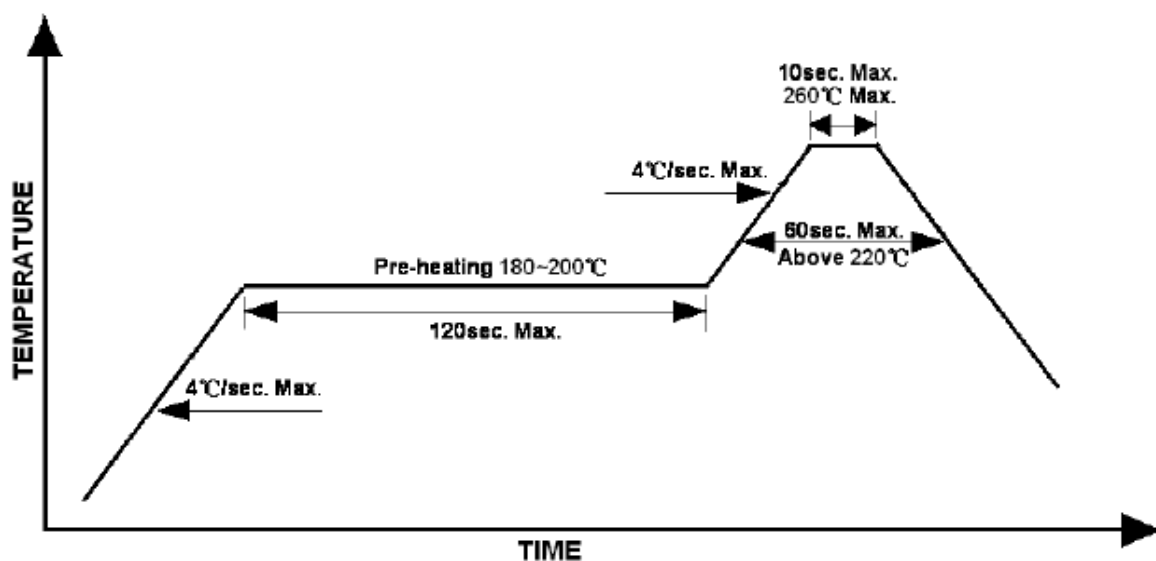
Reflow Soldering

- Recommended tin glue specifications: melting temperature in the range of 178~192 °C
- The recommended reflow soldering profile is as follows (temperatures indicated are as measured on the surface of the LED resin):

Lead Solder Profile



Lead-free Solder Profile





Opto Plus LED Corp

OPS-L193NB5-5183

1.6 x 0.8 x 0.4mm SMD LAMP

● PRECAUTIONS

1. Avoid exposure to moisture at all times during transportation or storage.
2. Anti-Static precaution must be taken when handling GaN, InGaN, and AlInGaP products.
3. It is suggested to connect the unit with a current limiting resistor of the proper size. Avoid applying a reverse voltage beyond the specified limit.
4. Avoid operation beyond the limits as specified by the absolute maximum ratings.
5. Avoid direct contact with the surface through which the LED emits light.
6. If possible, assemble the unit in a clean room or dust-free environment.

● REWORKING

- Rework should be completed within 5 seconds under 260 °C.
- The iron tip must not come in contact with the copper foil.
- Twin-head type is preferred.

● CLEANING

Following are cleaning procedures after soldering:

- An alcohol-based solvent such as isopropyl alcohol (IPA) is recommended.
- Temperature x Time should be 50°C x 30sec. or <30°C x 3min
- Ultra sonic cleaning: < 15W/ bath; bath volume ≤ 1liter
- Curing: 100 °C max, <3min

● CAUTIONS OF PICK AND PLACE

- Avoid stress on the resin at elevated temperature.
- Avoid rubbing or scraping the resin by any object.
- Electro-static may cause damage to the component. Please ensure that the equipment is properly grounded. Use of an ionizer fan is recommended.

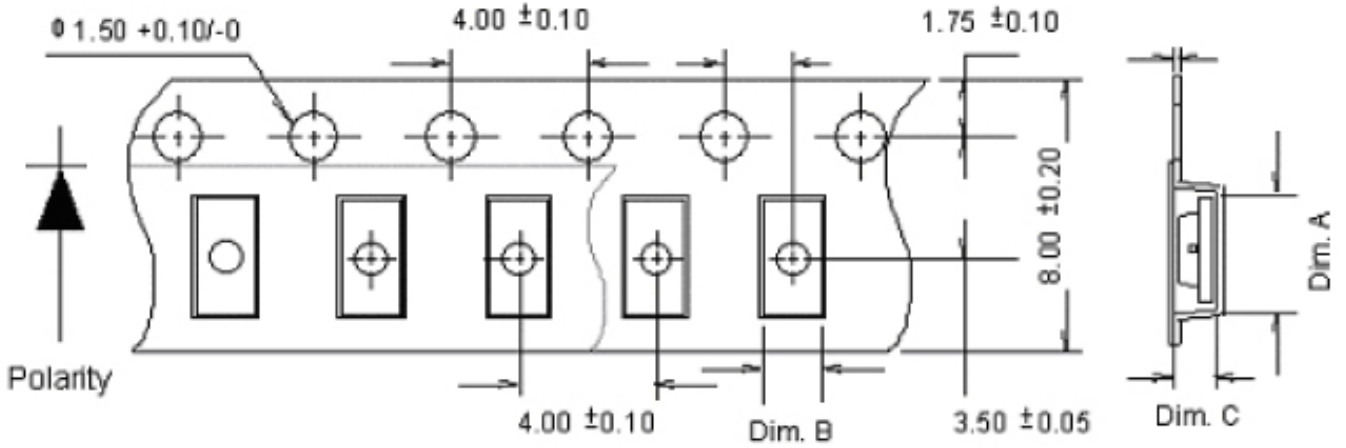


Opto Plus LED Corp

OPS-L193NB5-5183

1.6 x 0.8 x 0.4mm SMD LAMP

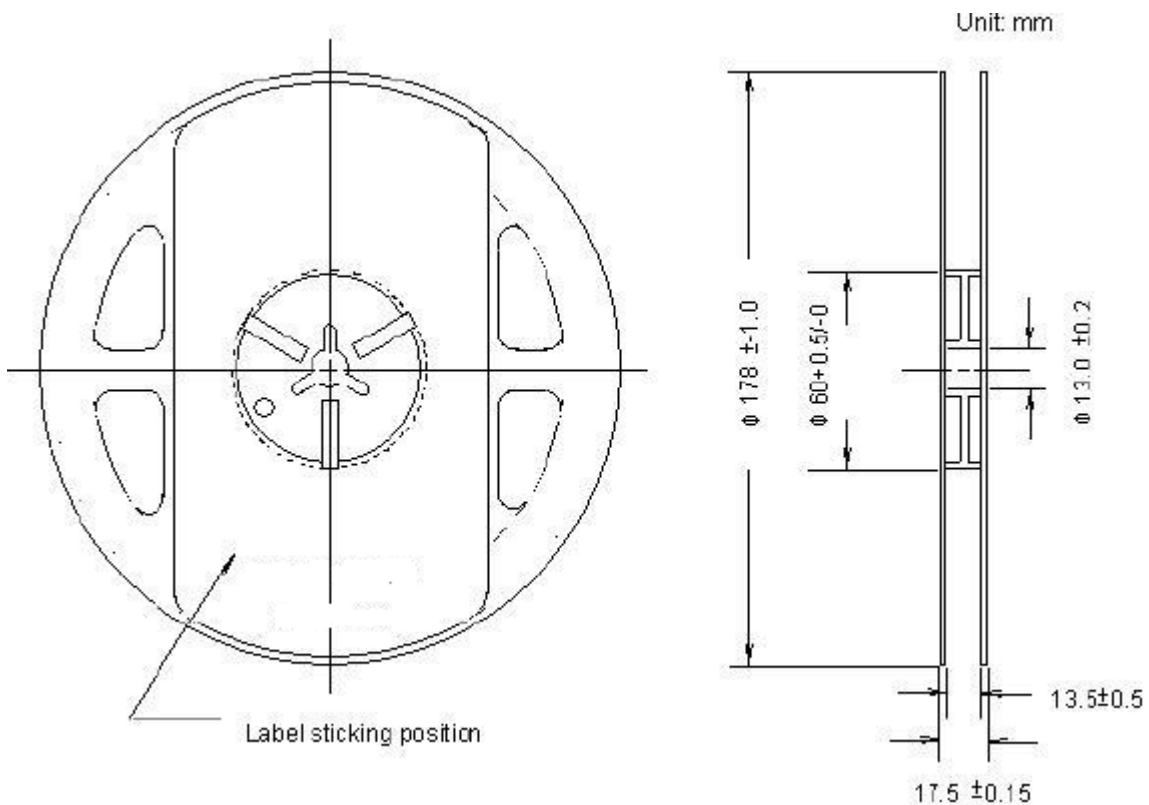
● TAPE SPECIFICATION : 4000 PCS PER REEL



Unit: mm

Dim. A	Dim. B	Dim. C
1.8 ± 0.10	0.95 ± 0.10	0.6 ± 0.10

● PACKAGE DIMENSIONS OF REEL





Opto Plus LED Corp

OPS-L193NB5-5183

1.6 x 0.8 x 0.4mm SMD LAMP

● PACKING AND SHIPPING INSTRUCTION

