

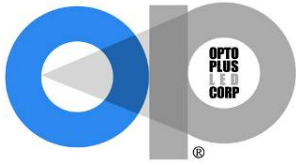
Opto Plus LED Corp.
0.30" SMD Type LED Display
OPS-D3010SPG-GW
OPS-D3011SPG-GW

● **EDIT HISTORY**

Version A: Oct. 28, 2015

Preliminary spec.

Manufacture	Examination	Approving



Opto Plus LED Corp.
0.30" SMD Type LED Display
OPS-D3010SPG-GW
OPS-D3011SPG-GW

● **FEATURES**

- 0.30 inch (7.62 mm) Digit Height.
- Low current operation.
- SMD type.
- Gray face, White segment.
- RoHS compliant, Pb Free.

● **DESCRIPTION**

The OPS-D3010SPG-GW & OPS-D3011SPG-GW are 0.30 inch (7.62mm) height Dual digit 7-segment display.

This device utilizes Pure Green LED chip which are made from InGaN

On a transparent GaN, substrate.

The display has Gray face, White segment.

● **DEVICE**

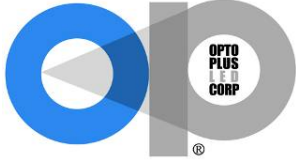
PART NO	DESCRIPTION
OPS-D3010SPG-GW	Common Anode
OPS-D3011SPG-GW	Common Cathode

RoHS Compliance



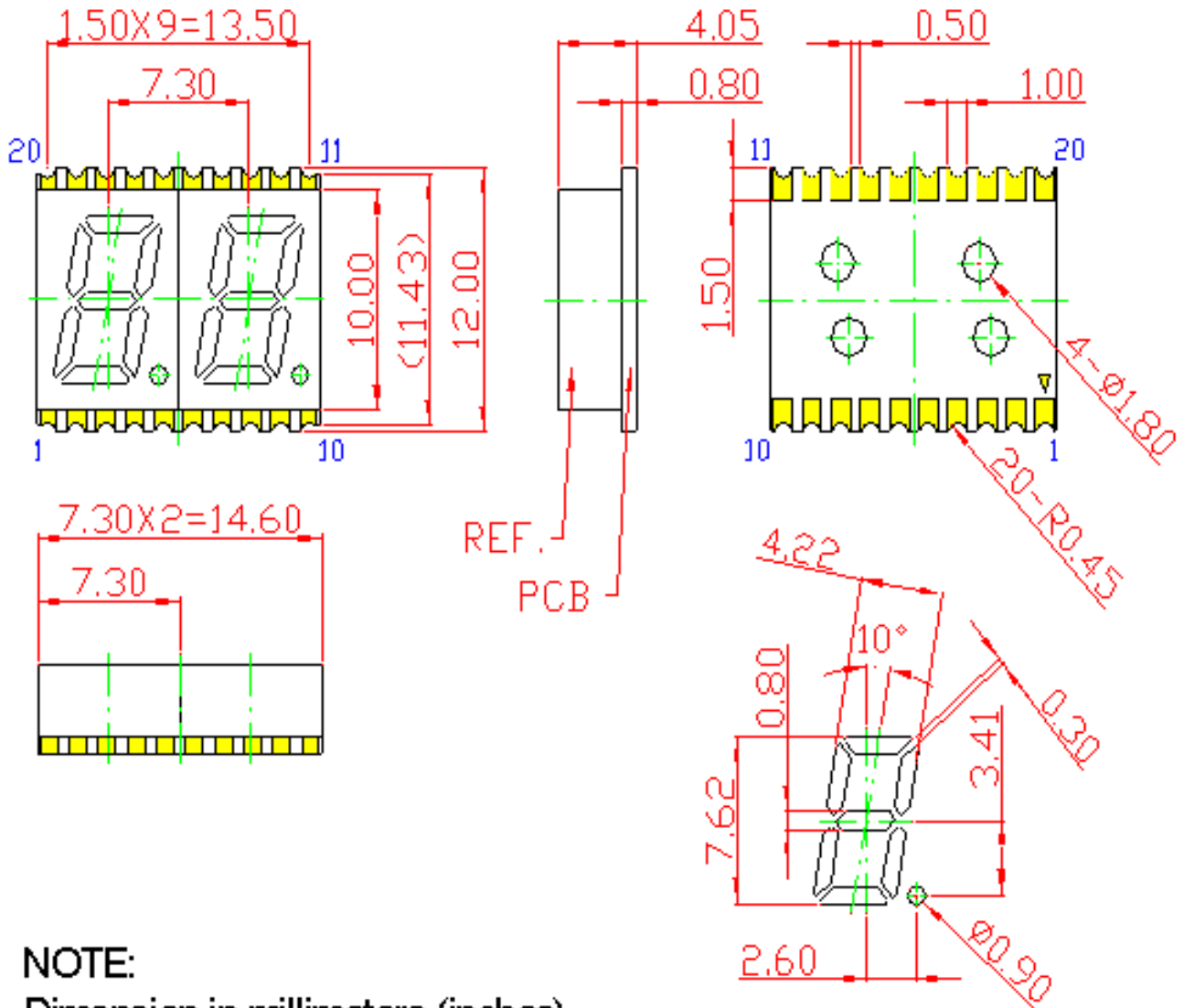
Pb free.



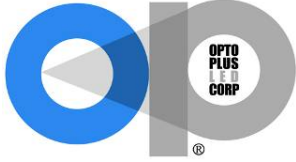


Opto Plus LED Corp.
0.30" SMD Type LED Display
OPS-D3010SPG-GW
OPS-D3011SPG-GW

● **MECHANICAL DIMENSIONS**



NOTE:
Dimension in millimeters (inches),
And tolerances are $\pm 0.25\text{mm}$ (.01") specified.



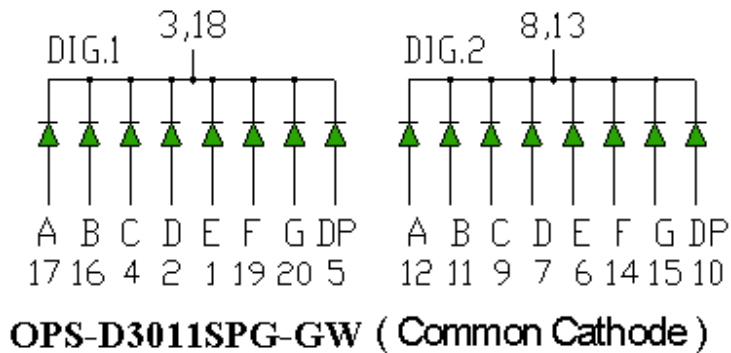
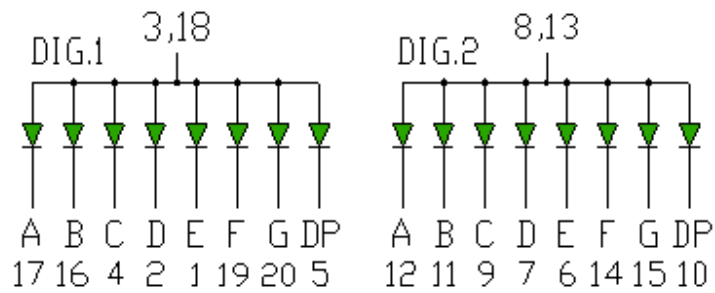
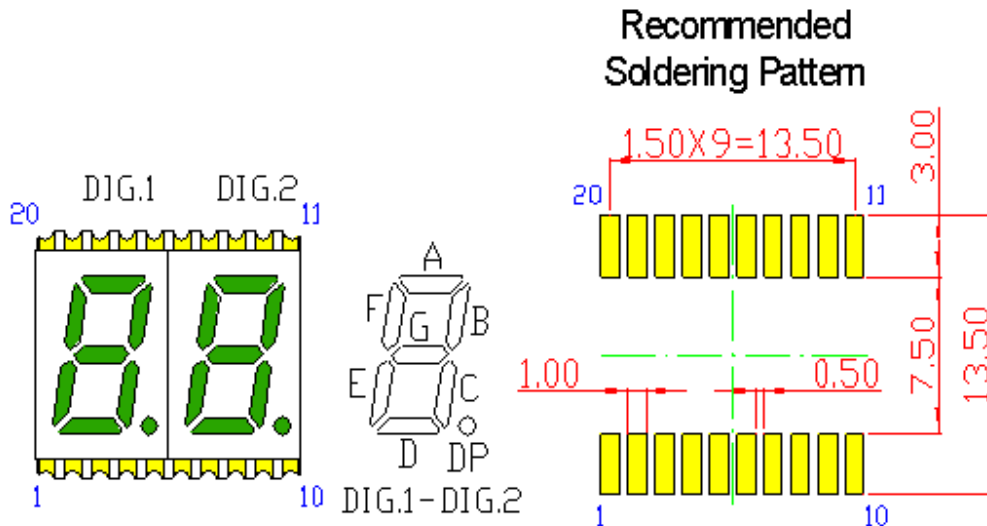
Opto Plus LED Corp.

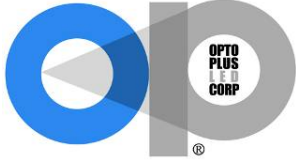
0.30" SMD Type LED Display

OPS-D3010SPG-GW

OPS-D3011SPG-GW

● TYPICAL INTERNAL EQUIVALENT CIRCUIT





Opto Plus LED Corp.
0.30" SMD Type LED Display
OPS-D3010SPG-GW
OPS-D3011SPG-GW

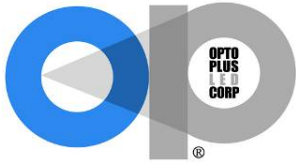
● **SPG: PURE GREEN (InGaN/GaN)**

ABSOLUTE MAXIMUM RATING AT Ta=25°C

Parameter	Symbol	Maximum Rating	Unit
Power dissipation	P_{AD}	120	mW
Derating liner from 25°C	-	0.3	mA / °C
Continuous forward current	I_{AF}	30	mA
Peak current (duty cycle 1/10, 1kHz)	I_{PF}	100	mA
Reverse voltage	V_R	5	V
Operating temperature	T_{OPR}	-40 to +105	°C
Storage temperature	T_{STG}	-40 to +105	°C

ELECTRICAL - OPTICAL CHARACTERISTICS AT Ta=25°C

Characteristic	Symbol	Condition	Min.	Type.	Max.	Unit
Forward Voltage, (Per Dice)	V_F	$I_F = 20mA$	-	3.2	4.0	V
Reverse Current, (Per Dice)	I_R	$V_R = 8V$	-	-	10	μA
Dominant Wavelength	λ_D	$I_F = 20mA$	515	-	530	nm
Luminous Intensity	I_V	$I_F = 20mA$	50	-	185	mcd
Spectral radiation bandwidth	$\Delta\lambda$	$I_F = 20mA$	-	30	-	nm



Opto Plus LED Corp.
0.30" SMD Type LED Display
OPS-D3010SPG-GW
OPS-D3011SPG-GW

● **SPG: BIN GRADE (Unit : mcd) 20mA**

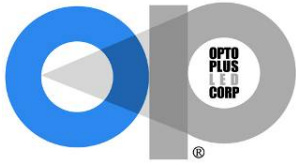
PURE GREEN	P	Q	R
	50.0 – 95.0	95.1 – 140.0	140.1 – 185.0

● **SPG: HUE GRADE (λ_D : nm)**

1	2	3
515.0 – 520.0	520.1 – 525.0	525.1 – 530.0

● **AVAILABLE BIN / HUE TABLE**

P1	Q1	R1
P2	Q2	R2
P3	Q3	R3



Opto Plus LED Corp.

0.30" SMD Type LED Display

OPS-D3010SPG-GW

OPS-D3011SPG-GW

● SPG: PURE GREEN (InGaN/GaN) CURVE

Typical Electro-optical Characteristic Curves
(25 °C Free Air Temperature Unless Otherwise Specified)

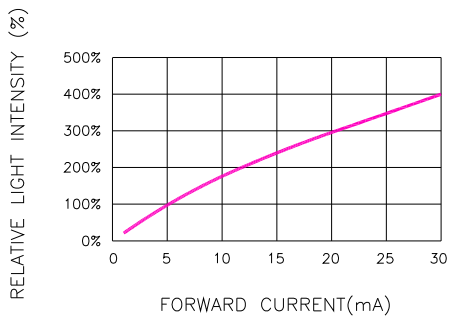


Fig.1 RELATIVE LIGHT INTENSITY VS. FORWARD CURRENT

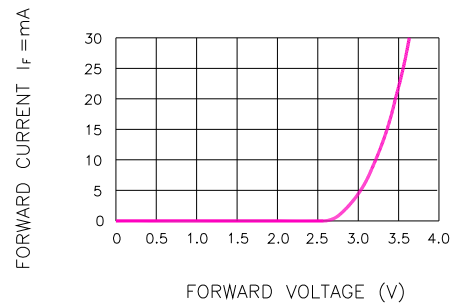


Fig.2 FORWARD CURRENT VS. FORWARD VOLTAGE

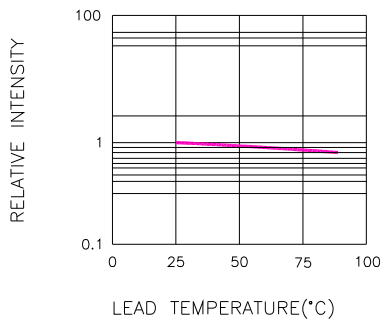


Fig.3 RELATIVE INTENSITY VS. LEAD TEMPERATURE
(PULSED 20 mA; 300us PULSE, 10ms PERIOD)

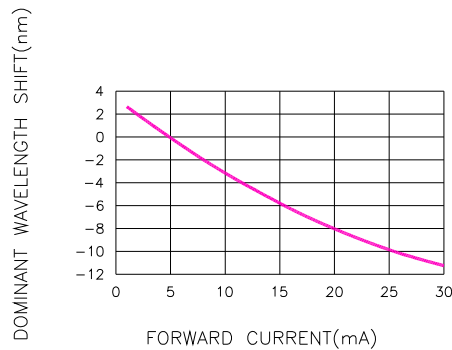


Fig.4 DOMINANT WAVELENGTH SHIFT VS. FORWARD CURRENT

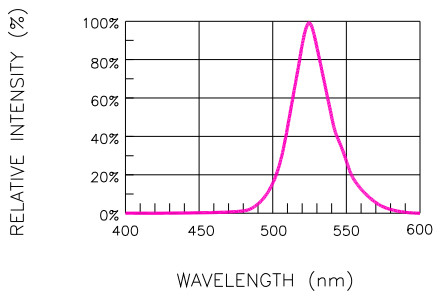


Fig.5 RELATIVE INTENSITY VS. WAVELENGTH

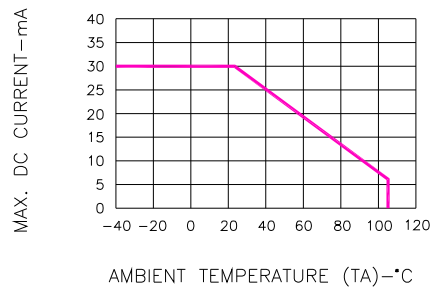
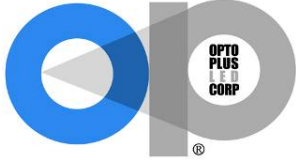


Fig.6 MAX. ALLOWABLE DC CURRENT VS. AMBIENT TEMPERATURE

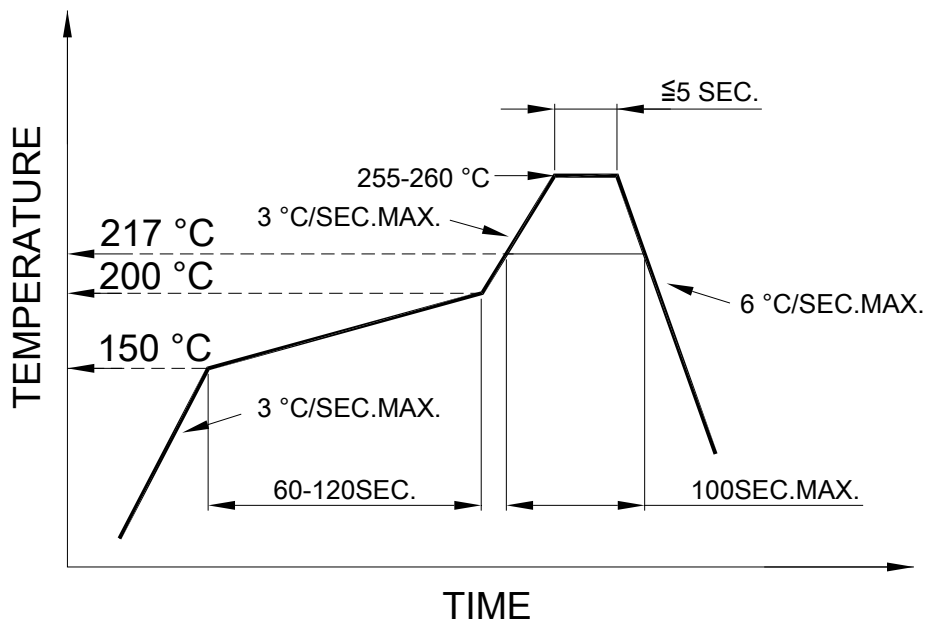


Opto Plus LED Corp.
0.30" SMD Type LED Display
OPS-D3010SPG-GW
OPS-D3011SPG-GW

● **RECOMMEND SOLDERING PROFILE**

SMT Soldering Profile

Pb free reflow soldering Profile



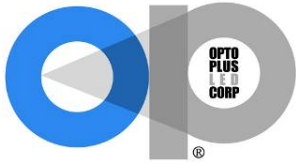
- We recommend the reflow temperature 245°C (+/- 5°C).
The maximum soldering temperature should be limited to 260°C.
- Number of reflow process shall be 2 times or less.

● **SOLDERING IRON**

Basic spec is ≤ 4 sec when 260°C. If temperature is higher, time should be shorter (+10°C → 1 sec). Power dissipation of Iron should be smaller than 15W, and temperature should be controllable. Surface temperature of the device should be under 230°C.

● **REWORK**

- Customer must finish rework within 3 sec. under 350°C.
- The head of soldering iron cannot touch copper foil.



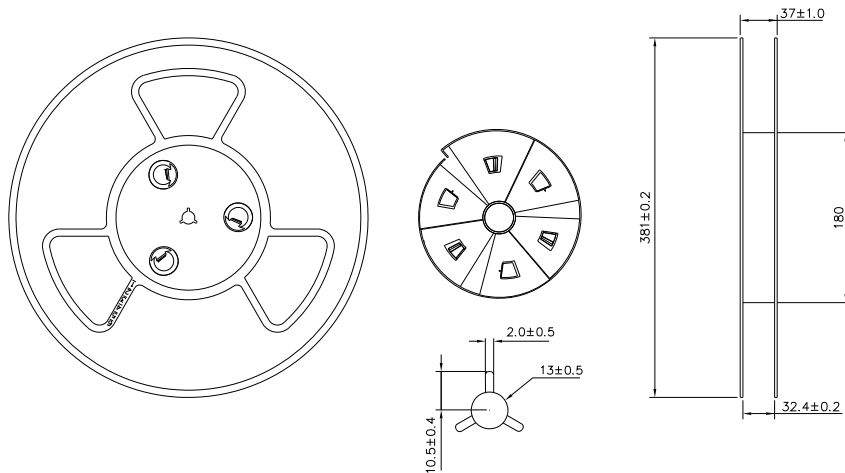
Opto Plus LED Corp.

0.30" SMD Type LED Display

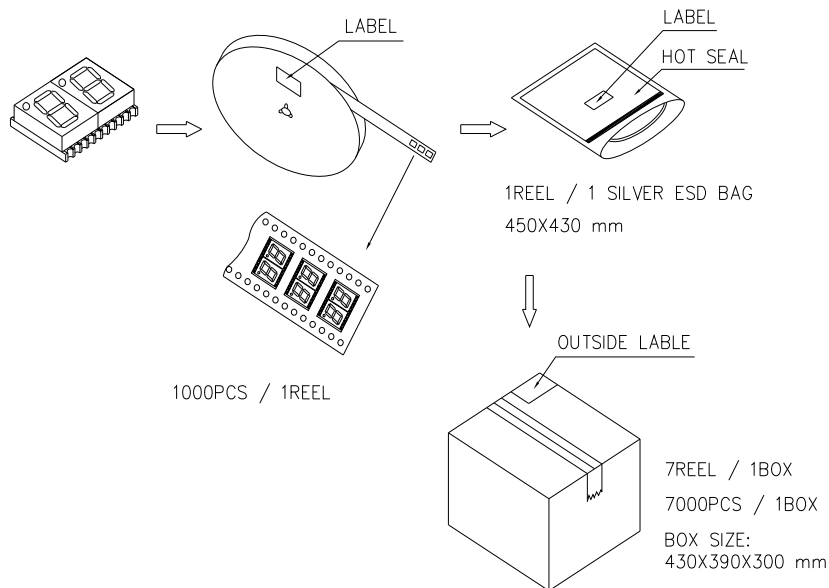
OPS-D3010SPG-GW

OPS-D3011SPG-GW

● REEL DIMENSIONS



● PACKING & LABEL SPECIFICATIONS



● STORAGE CONDITION

In factory original sealed bag package

TEMPERATURE CONDITION	HUMIDITY CONDITION
5°C ~ 30°C	Below 60%RH

After opened and not in factory original sealed bag package

TEMPERATURE CONDITION	HUMIDITY CONDITION	STORAGE TIME
5°C ~ 30°C	Below 60%RH	Within 4 weeks (MSL as level 2a)